

WT-1 Specifications

Hardware Specifications

Tablet

Model No.	WT-1
Input Methods	Electromagnetic induction
Interface to Computer	USB 1.1 full speed
Wireless Method	2.4G Hz RF (up to 30 ft)
Active Area Size	8" x 6"
Dimensions	10.4"(W) x 10.9"(H) x 0.9"(D)
Weight	1.3 lbs.
Tracking Speed	120 points/s
Coordinate Resolution	2000 lpi
Function Button	16 buttons
Hot Key	Page up / Page down
Power Supply	Rechargeable via USB / AC adaptor
Battery Type	Li-ion rechargeable battery
Battery Life	2 years
Battery Using Time	16 hrs (continuous use)



Pen

Battery	AAA battery x 1
Battery Life	Approx. 1,680 hrs
Proximity	0.4"

Others

Operating Specification	50 - 95 °F (10 - 35 °C) 20 - 80 % humidity
Safety Standard Approvals	FCC-B, CE, RoHS
Packing Dimension	11.7"(W) x 11.7"(H) x 1.8"(D)
Packing Weight	2.21 lbs.
Warranty	1 year warranty

Standard Features

- 8" x 6" aspect ratio selectable writing area
- 16 Function buttons, top of writing area
- Rolling area for volume control
- Page up and Page down for intuitive control
- Pair up to 7 wireless tablets per PC
- 1,024 gradations of pressure sensing (n/a with StarBoard Software)
- LCD for status indication
- StarBoard Software, pen pad driver included

System Requirements

PC Requirements

CPU	Intel Pentium 4 1.8GHz or higher
RAM	1 GB or more is recommended
HDD	300 MB of free space
Display Color Depth	16 bit or more
Software Required	I.E. 6.0 or higher / DirectX 9.0c / MS Office 2000 or higher, Windows Media Player 9.0 or higher, Adobe Acrobat 5.05 or higher for importing documents
Hardware Required	CD-ROM
OS	Microsoft Windows 2000/XP/Vista, latest service pack must be applied (Tablet PC, 64bit, and Server Edition are currently not supported)
Other	Video card w/ hardware overlay for video function

Mac Requirements

CPU	Intel® processor
RAM	1 GB or more is recommended
HDD	300 MB of free space
Display Color Depth	16 bit or more
Software Required	MS Office 2004 or higher for importing documents / Quick Time 7.1 or higher
Hardware Required	CD-ROM
OS	Mac OS X 10.4, 10.5, latest service pack must be applied (Mac OS X 10.6 Snow Leopard is currently not supported)
Other	Built-in display or display connected to Apple supplied video card supported by your Mac

Hitachi Software Engineering America, Ltd.

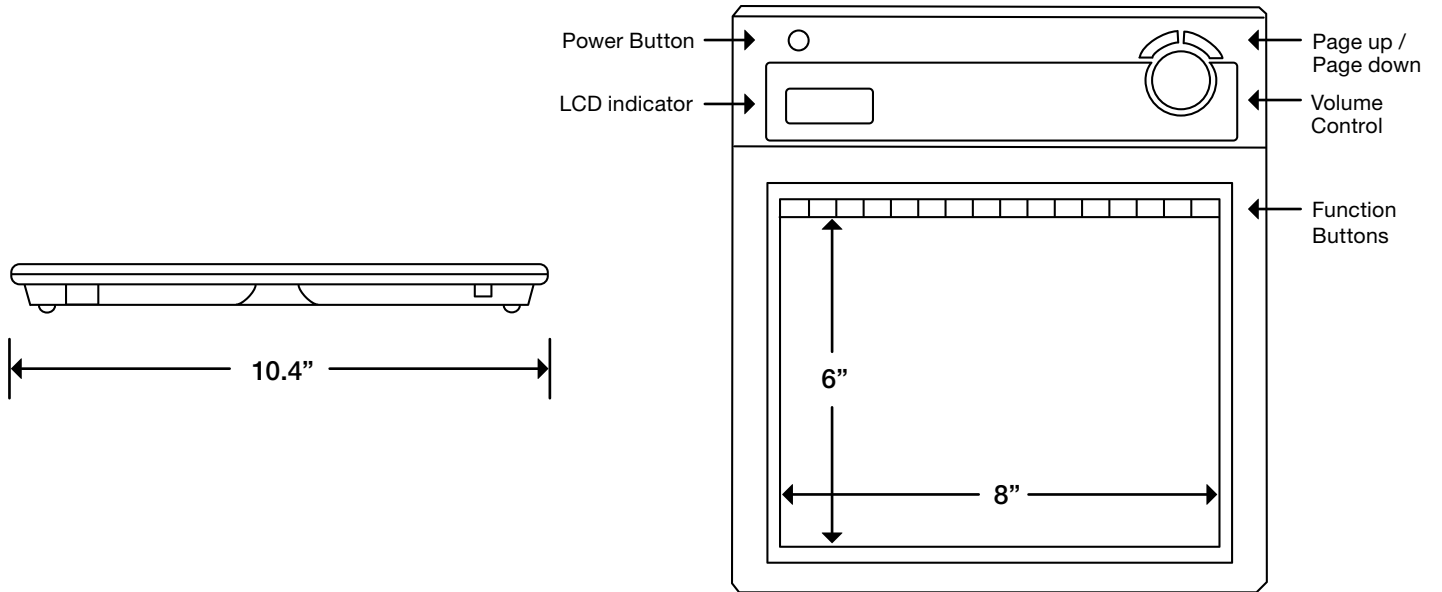
900 Hitachi Way Chula Vista, CA 91914
Telephone: 1-800-HITACHI
starboard@hitachi-soft.com
www.hitachi-soft.com

WT-1 Specifications

Dimensions

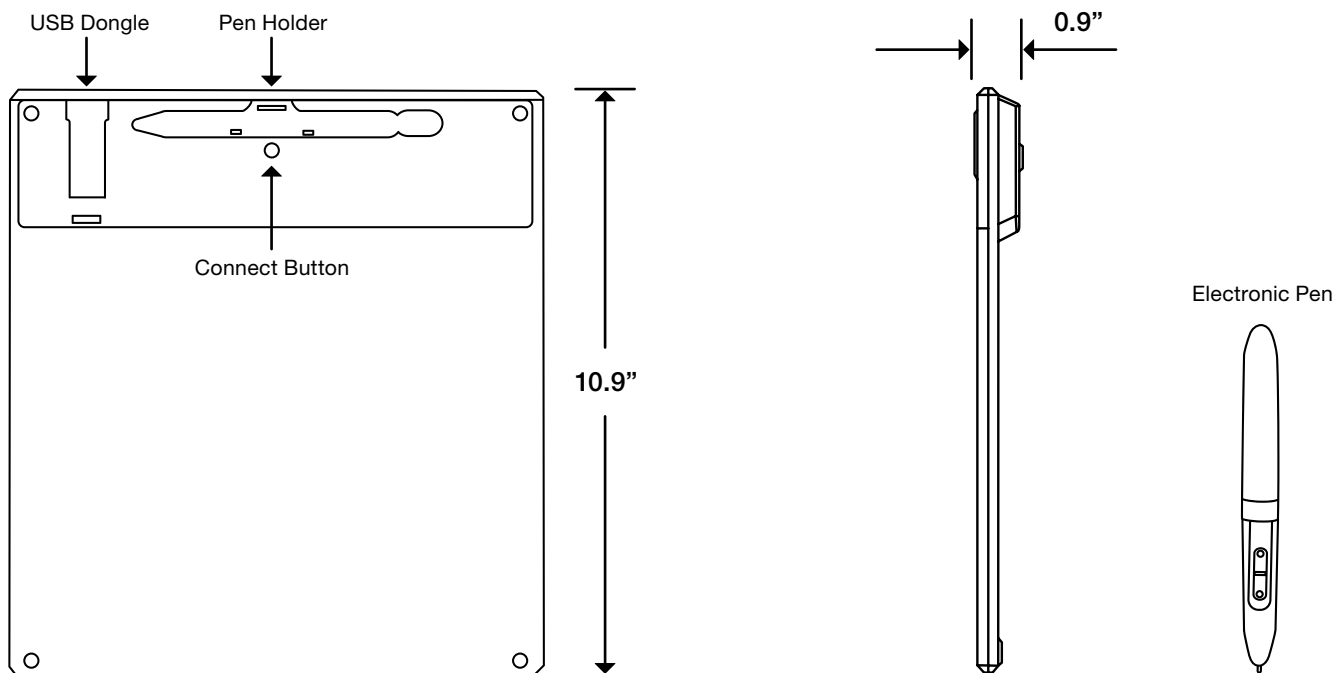
Top View

Front View



Back View

Side View



Hitachi Software Engineering America, Ltd.

900 Hitachi Way Chula Vista, CA 91914

Telephone: 1-800-HITACHI

starboard@hitachi-soft.com

www.hitachi-soft.com