


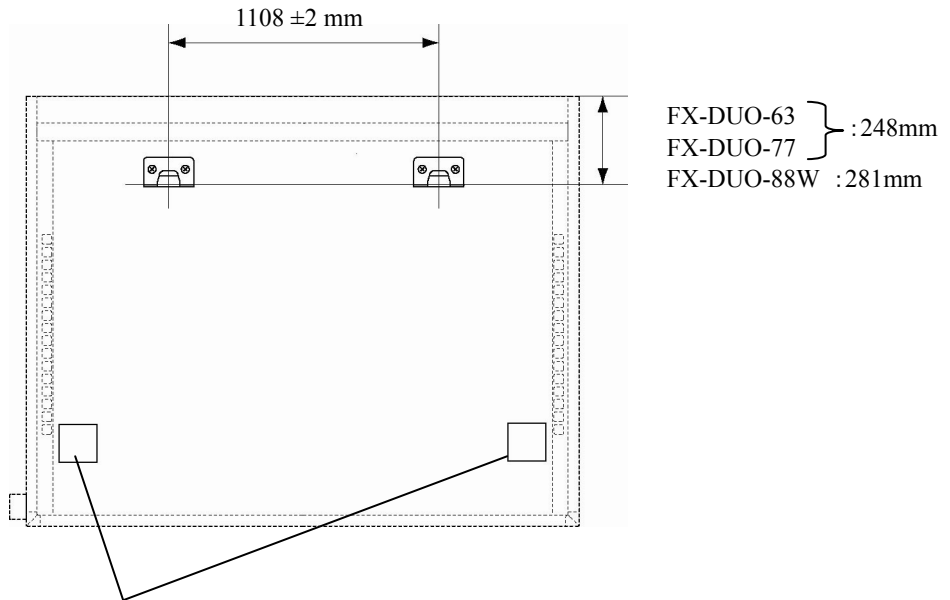
1.4.2 Wall-Mounting Setup Method

 CAUTION
<p>Keep the wall material in mind when installing.</p> <p>Installing the board on to the wall in a way that does not suite the wall material, may result in the board falling off the wall causing injuries or damage to the board. Furthermore, wall installation may not be possible depending on the wall. For details, consult with your dealer.</p>
<p>Keep the wall strength in mind when installing.</p> <p>Only use this product after confirming that it is securely attached and will not fall. Furthermore, be sure to install using a wall-mounting bracket capable of supporting a weight of at least 50 kg when using FX-DUO-63/FX-DUO-77 and supporting a weight of at least 70 kg when using FX-DUO-88W.</p>

[1] Install the wall-mounting brackets

Determine the height at which the board will be installed, and install the wall-mounting brackets on the wall at the positions shown in the following diagram below.

The wall-mounting brackets are provided with the StarBoard. ((4) on page 1-2)



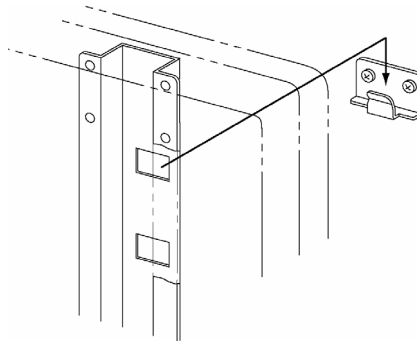
Wall-mount stabilizing sponge
It is installed only in FX-DUO-88W.

[2] Install the board

⚠ CAUTION**Be sure to use two or more people for this work.**

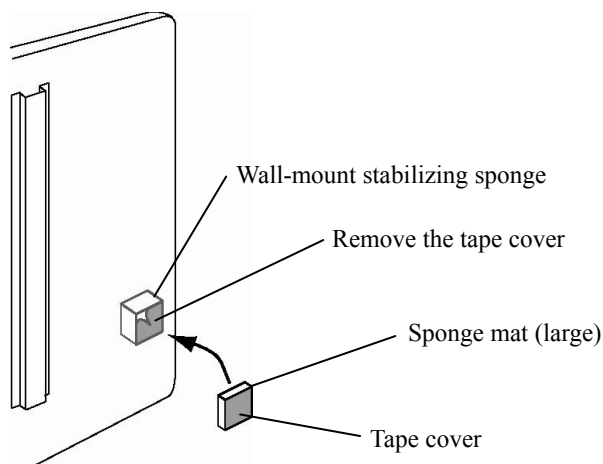
Failure to comply may cause the board to fall, resulting in personal injury, or may cause damage to this product due to shock of impact.

Attach the wall-mounting brackets to the top square holes (both sides) of the stays on the back of the board.



[3] Settle the board (The following work is necessary for FX-DUO-88W.)

1. Make sure that the 2 wall-mount stabilizing sponges are touching the wall when the board is mounted on the wall.
If either of the sponges do not touch the wall, apply the sponge mat (large) to the wall-mount stabilizing sponge, and adjust the space between the sponge and the wall.



2. Remove the tape cover and fix the board on to the wall.

NOTICE

When detaching the wall the paint might peel off from the wall and the double-faced tape might remain on the wall by the adhesiveness of the double-faced tape's glue and the wall. Install the board at your own risk.

About using Sponge mat (large)

If there is space between the board and the wall, apply the sponge mat (large) to adjust the space.

1.4.3 Pen Holder Setup Method**[1] Installation method**

Insert the pen holder into the rail on the right side on the back of the board and slide it to the desired position.

